

Portable SF₆ transfer unit Model GTU-10

WIKA data sheet SP 63.07

Applications

- Pumping SF₆ gas out of equipment into gas cylinders
- Consolidating part-filled SF₆ gas cylinders
- Filling of SF₆ gas-insulated equipment

Special features

- High compressor performance
- Compact dimensions
- Robust version for service
- Clear display of the operating pressures



Portable SF₆ transfer unit, model GTU-10

Description

Portable service equipment series

The model GTU-10 SF₆ transfer unit is a module of the portable service equipment series.

Modules of the portable instrument series:

- Portable vacuum pump, model GVP-10
- Portable SF₆ filter unit, model GPF-10
- Portable SF₆ vacuum compressor, model GVC-10
- Portable SF₆ transfer unit, model GTU-10
- Portable SF₆ gas cylinder scale, model GWS-10

The model GTU-10 is an instrument developed specifically for SF₆ gas. Due to the selection of the oil-free running compressor, contamination of the SF₆ gas by lubricant is eliminated.

The compact dimensions of the model GTU-10 are ideal for mobile use. The fields of application range from the storage of SF₆ gas in gas containers to the filling of SF₆ gas-insulated switches.

During storage of the SF₆ gas, the compressor can liquefy the gas in the storage vessel. Thus, the maximum storage capacity of a gas cylinder can be used. The connected storage vessels and supply lines must therefore be designed and approved for at least 50 bar pressure.

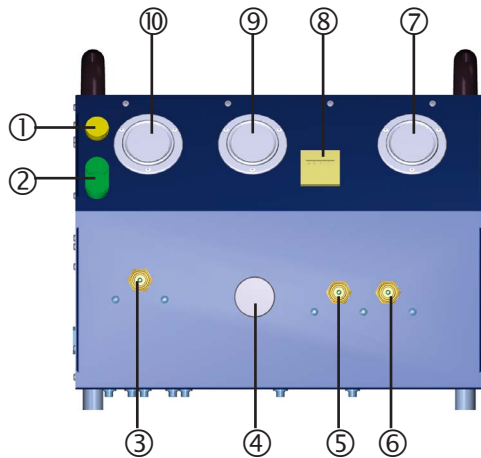
Functionality

The compressor is connected to the input and output sides with appropriate fittings and hoses.

After switching on the compressor, the SF₆ gas is transported from the input to the output. With rising filling pressure, the SF₆ gas is liquefied in the storage vessel with minimum space requirements. The compressor automatically switches off when reaching 40 bar abs., and the overpressure warning lamp illuminates.

Switching on again is only possible once the pressure at the output has dropped below 31 ±2 bar abs.

Depending on the selection of the output valve (6 = output not pressure-reduced, 5 = output pressure-reduced) the gas drawn in is pumped into the connected vessel via the output hose. The desired filling pressure can thus be set exactly at the built-in pressure reducer.



- ① Overpressure warning light
- ② On/Off switch
- ③ Valve coupling, input
- ④ Pressure reducer
- ⑤ Valve coupling, output pressure reducer
- ⑥ Valve coupling, output
- ⑦ Pressure display, output pressure
- ⑧ Operating hours counter
- ⑨ Pressure display, output pressure reducer
- ⑩ Pressure display, input pressure

Specifications

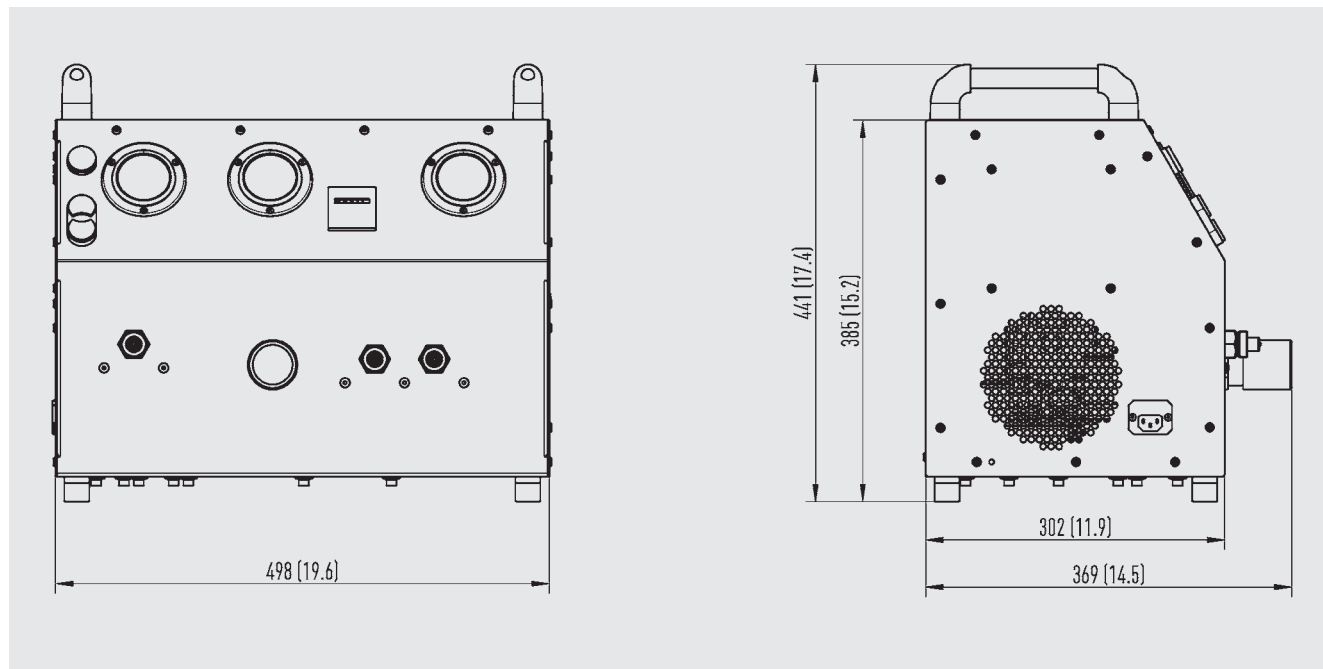
Specifications	
Gas flow rate	<ul style="list-style-type: none"> ■ 1.6 m³/h at 50 Hz ■ 1.8 m³/h at 60 Hz
Permissible input and output pressure	40 bar abs. ±2 bar abs.
Pressure reducer, output pressure	0 ... 20 bar [0 ... 290 psig]
Voltage supply	<ul style="list-style-type: none"> ■ AC 230 V, 50 Hz ■ AC 115 V, 60 Hz (option) Fuse with 10 A, slow blow
Permissible ambient temperature	
Storage	-20 ... +60 °C [-4 ... +140 °F]
Operation	5 ... 40 °C [41 ... 104 °F]
Permissible air humidity	≤ 90 % r. h. (non-condensing)
Ingress protection per IEC 60529	IP20
Weight	approx. 32 kg [70 lbs]
Noise emission	65 dB

Approvals

Logo	Description	Country
CE	EU declaration of conformity	European Union
	EMC directive	
	Machinery directive	
	RoHS directive	

For approvals and certificates, see website

Dimensions in mm [inch]



Accessories

Connection hoses

Designation	Order number
Hose with self-closing valves, DN 8, brass	
Length 3 m [9.8 ft]	14294449
Length 6 m [19.7 ft]	14330878
Length 12 m [39.4 ft]	14335098
Length 15 m [49.2 ft]	14307929

Adapter

Designation	Order number
Adapter for gas recovery bag, model GA45	
DN 8 to quick coupling	14068883
Adapter for gas cylinder	
DN 8 to W21.8 x 1/14" per DIN 477 No. 6	14074524
DN 8 to 0.960" 15/16" CGA 590	14074523
DN 8 to 1" per DIN 477 No. 8	14074521
DN 8 to G 5/8" per BS 341 No. 6	14074525

Gas recovery bag

Designation	Order number
Gas recovery bag, model GA45 For specifications, see data sheet SP 62.08	14013015

Ordering information

Model / Voltage supply / Accessories

© 12/2012 WIKA Alexander Wiegand SE & Co. KG, all rights reserved.
The specifications given in this document represent the state of engineering at the time of publishing.
We reserve the right to make modifications to the specifications and materials.

